



1 2 3 4 5

A

B

C

D

E

F

G

A

B

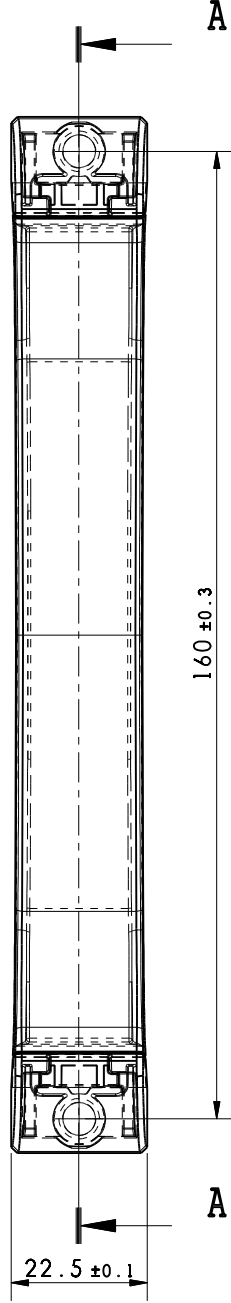
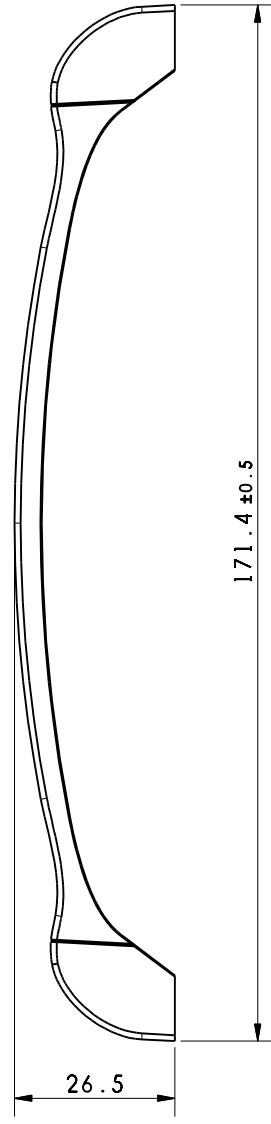
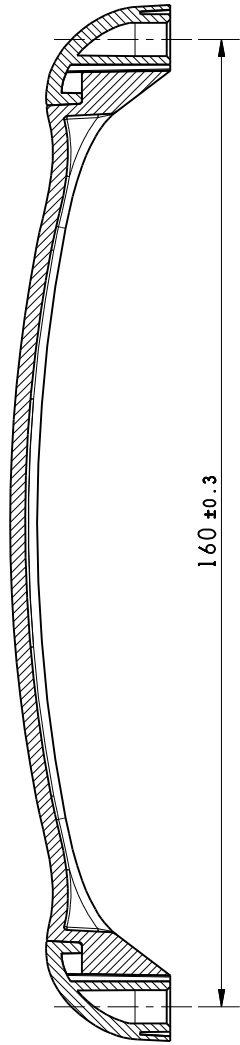
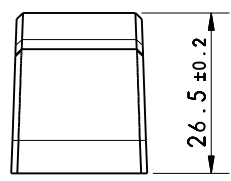
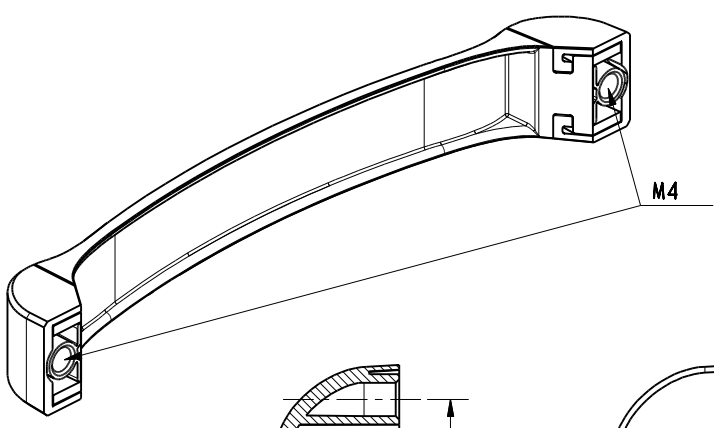
C

D

E




F

G



Sez. A-A

MATERIAL: ABS

REV	POSITION	DESCRIPTION	DATE	NAME
				
		 	UNIT mm	TYPE DRAFT DRAWING
ART. 0918		FILENAME *****	CREATED BY *****	FORMAT A4
PROJECT NAME *****		CLIENT *****	CREATION DATE *****	REVISION ***
			PART CODE	SHEET 1 / 1
			TOOL CODE	*****
			CHECKED BY *****	CHECKED_DATE *****

1 2 3 4 5